



EPG-28395 Planetary Series

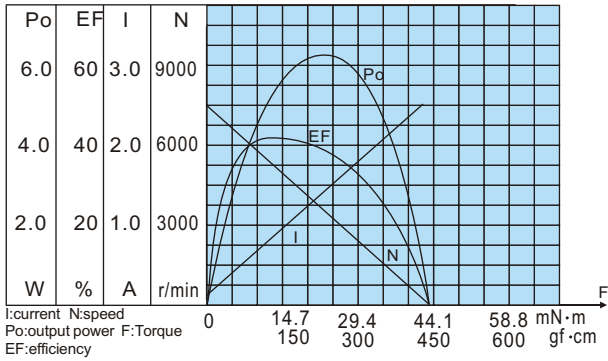
(12VDC STANDARD)

OUTPUT POWER: 3.4W(APPROX)

WEIGHT: 120~160g(APPROX)

Typical applications: Automat, electrical controlled valve, robot, door locks, token, optical equipment, cordless power tool, ticket selling machines, automatic energy saving bath, monitoring cameras, lighting.

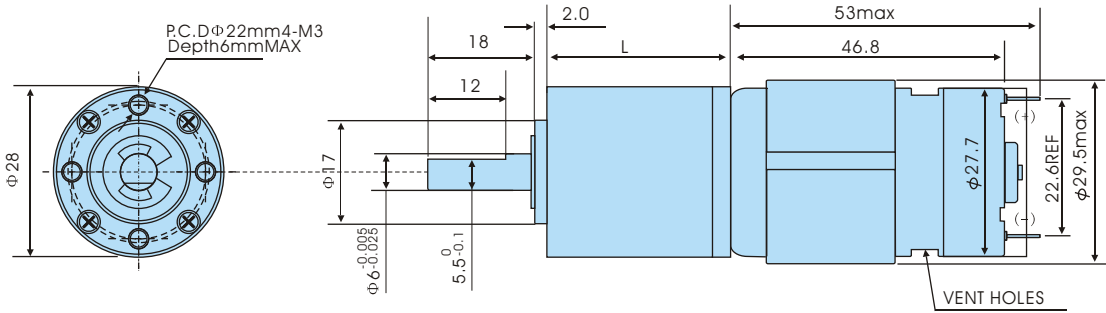
MOTOR CHARACTERISTICS



MOTOR TORQUE/SPEED/CURRENT

Rated Voltage	12VDC
No load speed	6000r/min
No load current	130mA
Rated torque	77.3gf · cm 7.58mN · m
Rated current	0.530A
Rated speed	4910r/min
Stall torque	430gf · cm 42.14mN · m
Stall current	2.5A

APPEARANCE SIZE



GEARED MOTOR TORQUE/SPEED/CURRENT

Geared motor name	Rated Volt. V	No Load		Load torque				At maximum efficiency		Output power W	Number of gear trains	Gearbox length "L" mm
		Current mA	Speed r/min	Current mA	Speed r/min	Torque		Kg f · cm	N · m			
						Kg f · cm	N · m					
EPG-28395126000-4K	12	≤130	1500	≤530	1227	0.28	0.03	0.8	0.08	3.4	1	25.3
EPG-28395126000-16K	12	≤130	375	≤530	307	1.0	0.1	3.0	0.29	3.1	2	25.3
EPG-28395126000-22.5K	12	≤130	266	≤530	218	1.4	0.14	4.0	0.39	3.1	2	25.3
EPG-28395126000-64K	12	≤130	93	≤530	76.7	3.6	0.35	11	1.08	2.8	3	30.3
EPG-28395126000-90K	12	≤130	66	≤530	54.6	5.1	0.50	15	1.47	2.8	3	30.3
EPG-28395126000-107K	12	≤130	56	≤530	45.9	6.0	0.59	18	1.76	2.8	3	30.3
EPG-28395126000-256K	12	≤130	23	≤420	20.2	10	0.98	30	2.94	2.0	4	35.3
EPG-28395126000-304K	12	≤130	19.5	≤360	17.4	10	0.98	30	2.94	1.7	4	35.3
EPG-28395126000-361K	12	≤130	16.5	≤330	16.6	10	0.98	30	2.94	1.6	4	35.3
EPG-28395126000-428K	12	≤130	14	≤280	12.8	10	0.98	30	2.94	1.3	4	35.3
EPG-28395126000-509K	12	≤130	11.7	≤240	10.9	10	0.98	30	2.94	1.1	4	35.3
Note	Voltage can make as customers' request											
Packing Details	CTN size:41X26XH23CM 100PCS/CTN N.W.11Kgs											